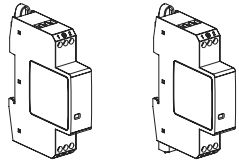


AC Surge Protective Device (SPD)

Installation Instructions

TLP-xxx/2(S) series



⚠ Important Notes:

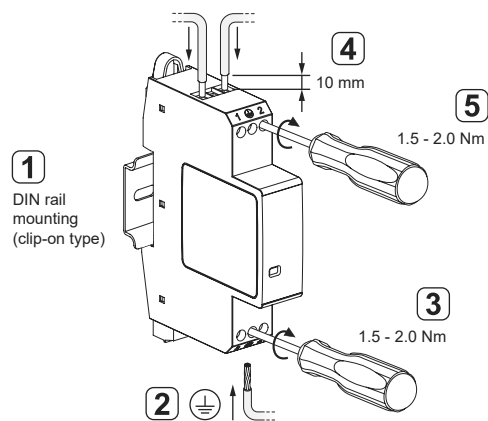
- Please read this manual carefully before installing or operating the product. If you have any questions, please contact our company.
- Unauthorized disassembly of the product is strictly prohibited to prevent instrument failure or malfunctions.

Installation

Conductor cross-section range (mm²)

Conductor function		TLP
	Live / Neutral wire	0.5 - 4
	Earth wire	0.5 - 4
	Live / Neutral wire	0.5 - 2.5
	Earth wire	0.5 - 2.5

Values based on copper conductors.



Working Conditions

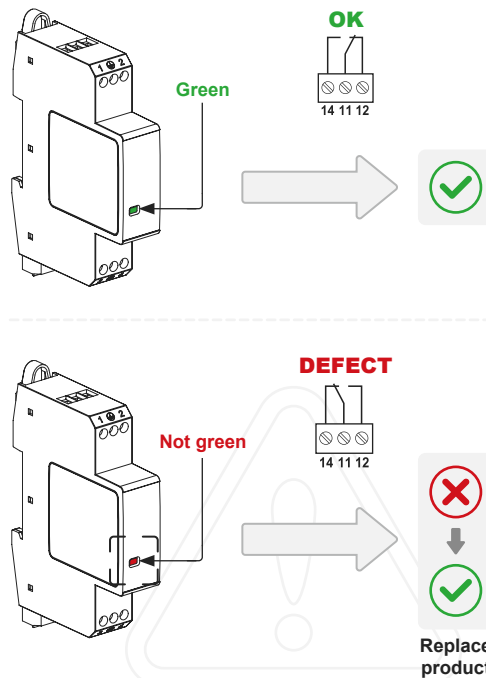
	+2000 m max. -500 m min.		+80 °C max. -40 °C min.
	IP20 (built in) Indoor use only		Humidity range 5% to 95%

Characteristics

TLP-xxx/2(S)	30	60	75	150	255
U _N (50/60Hz) Tol.: ±10%	24 V	48 V	60 V	120 V	230 V
U _C (AC)	30 V	60 V	75 V	150 V	255 V
U _C (DC)	30 V	60 V	75 V	150 V	255 V
I _{SCCR}	6 kA _{rms} (1 kA _{rms})				
I _{PE}	< 5 μA				

Remote signal option: e.g. TLP-60/2(S)

Maintenance



Standard Wiring

Series wiring configuration	Parallel wiring configuration	Wiring precautions
<p>(1)</p>	<p>(2)</p>	
<p>F ≤ 25 A gG</p> <p>↓</p> <p>✓</p>	<p>F1</p> <p>↓</p> <p>F2 ≤ 25 A gG</p>	
<p>F1 ≤ 25 A gG</p> <p>↓</p> <p>(2)</p>	<p>F2</p> <p>↓</p> <p>F1 ≤ 25 A gG</p> <p>↓</p> <p>No F2</p>	

Remote Contact Wiring

Remote signal for disconnection information

11-12 Closed = SPD OK
11-14 Open = SPD OK

11-12 Open = SPD disconnect
11-14 Closed = SPD disconnect

Remote contact electrical ratings

250 Vac / 0.5 A max.	250 Vdc / 0.1 A max. 125 Vdc / 0.2 A max. 75 Vdc / 0.5 A max.
----------------------	---